

DUPLEX UNIT
(Machine Code: G552)

1. REPLACEMENT AND ADJUSTMENT

⚠ CAUTION

Turn off the main power switch and unplug the machine before attempting any of the procedures in this section.

NOTE: This manual uses these symbols.

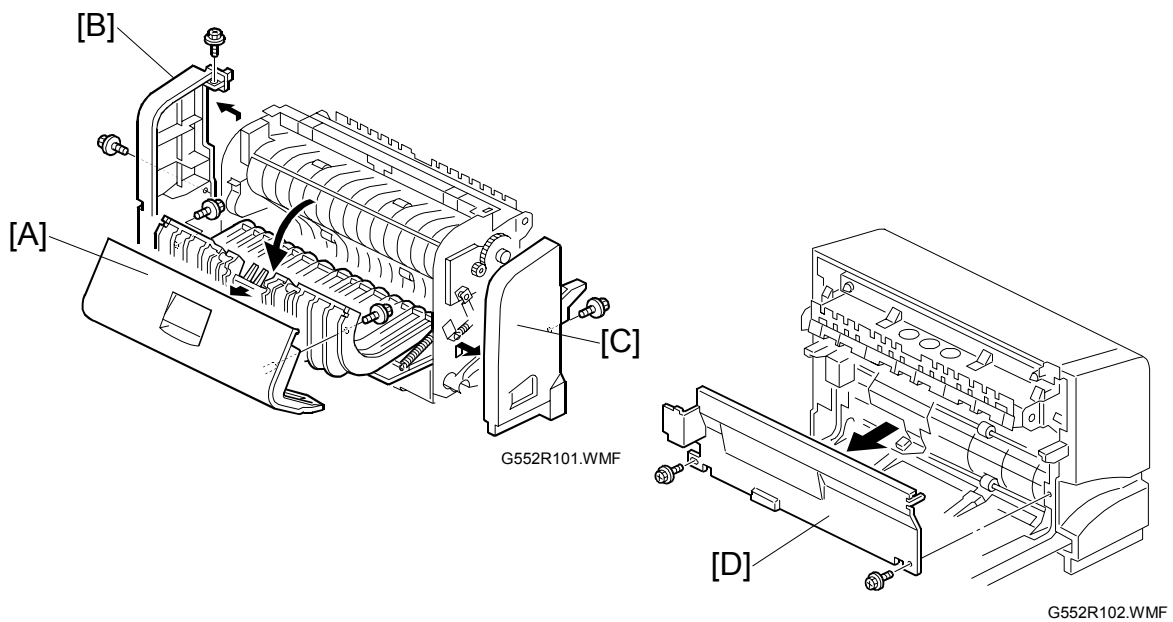
☞: See or Refer to

🔩: screw

🔌: connector

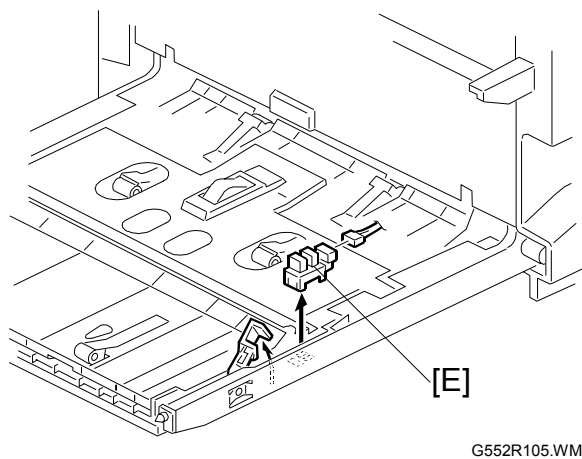
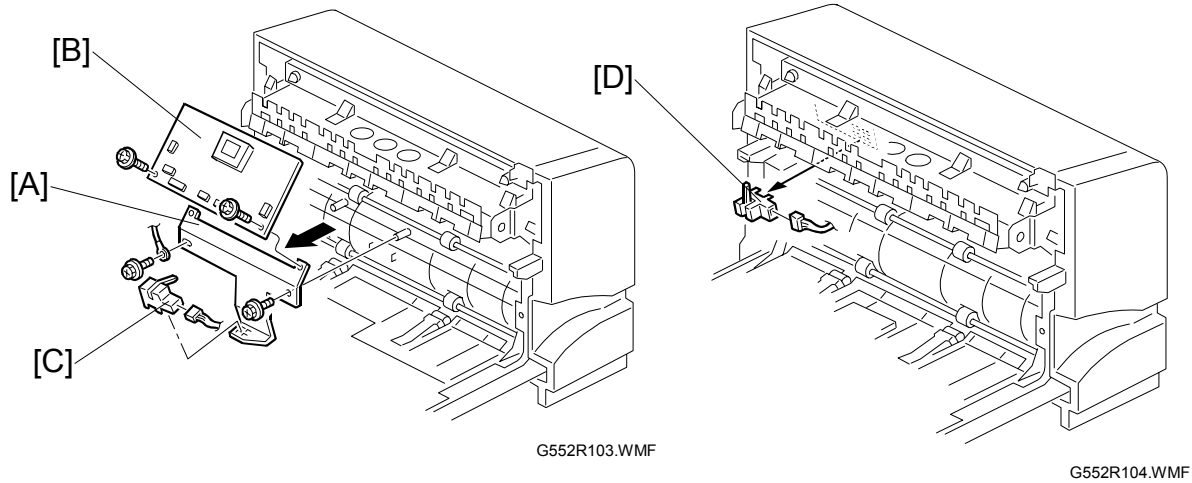
1.1 EXTERIOR COVERS

- Remove the duplex unit from the main unit.
- Open the upper cover [A].



- [A]: Upper cover (🔩 x 2)
 [B]: Right cover (🔩 x 2)
 [C]: Left cover (🔩 x 1)
 [D]: Front cover (🔩 x 2)

1.2 DUPLEX BOARD AND SENSORS



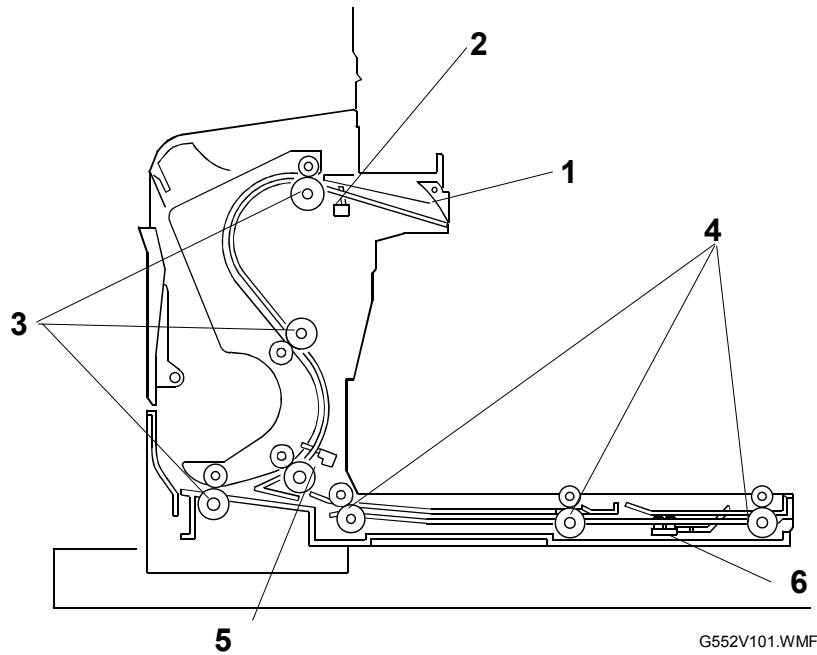
- Front cover (☛ Exterior Covers)

- [A]: Duplex board bracket (☛ x 2)
- [B]: Duplex board (☛ x 2, all connectors)
- [C]: Inverter sensor (☛ x 1)
- [D]: Entrance sensor (☛ x 1)
- [E]: Exit sensor (☛ x 1)

2. DETAILED DESCRIPTION

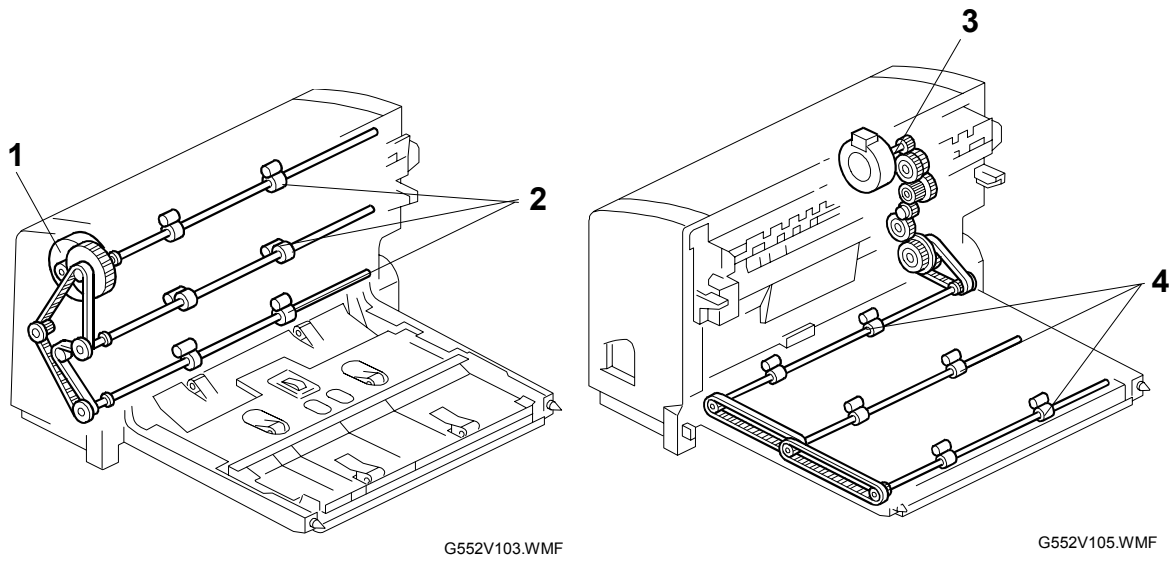
2.1 OVERALL MACHINE INFORMATION

2.1.1 MECHANICAL COMPONENT LAYOUT



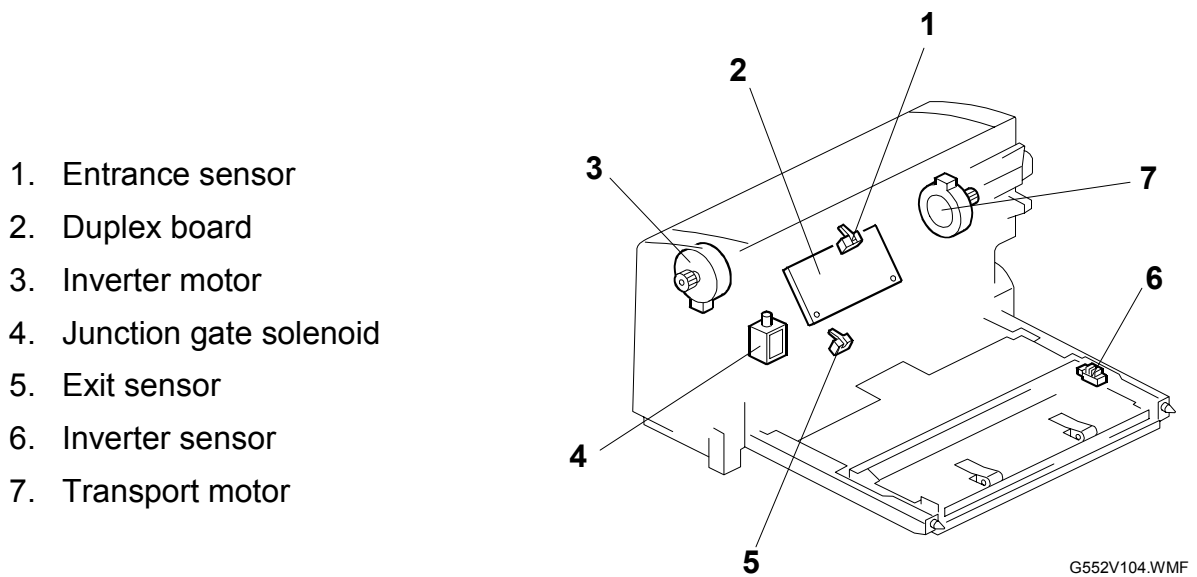
1. Junction gate
2. Entrance sensor
3. Inverter rollers
4. Transport rollers
5. Transport sensor
6. Exit sensor

2.1.2 DRIVE LAYOUT



1. Inverter motor
2. Inverter rollers
3. Transport motor
4. Transport rollers

2.1.3 ELECTRICAL COMPONENT LAYOUT



1. Entrance sensor
2. Duplex board
3. Inverter motor
4. Junction gate solenoid
5. Exit sensor
6. Inverter sensor
7. Transport motor

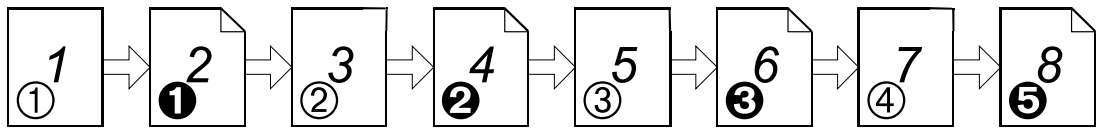
2.2 DETAILED SECTION DESCRIPTIONS

2.2.1 BASIC OPERATION

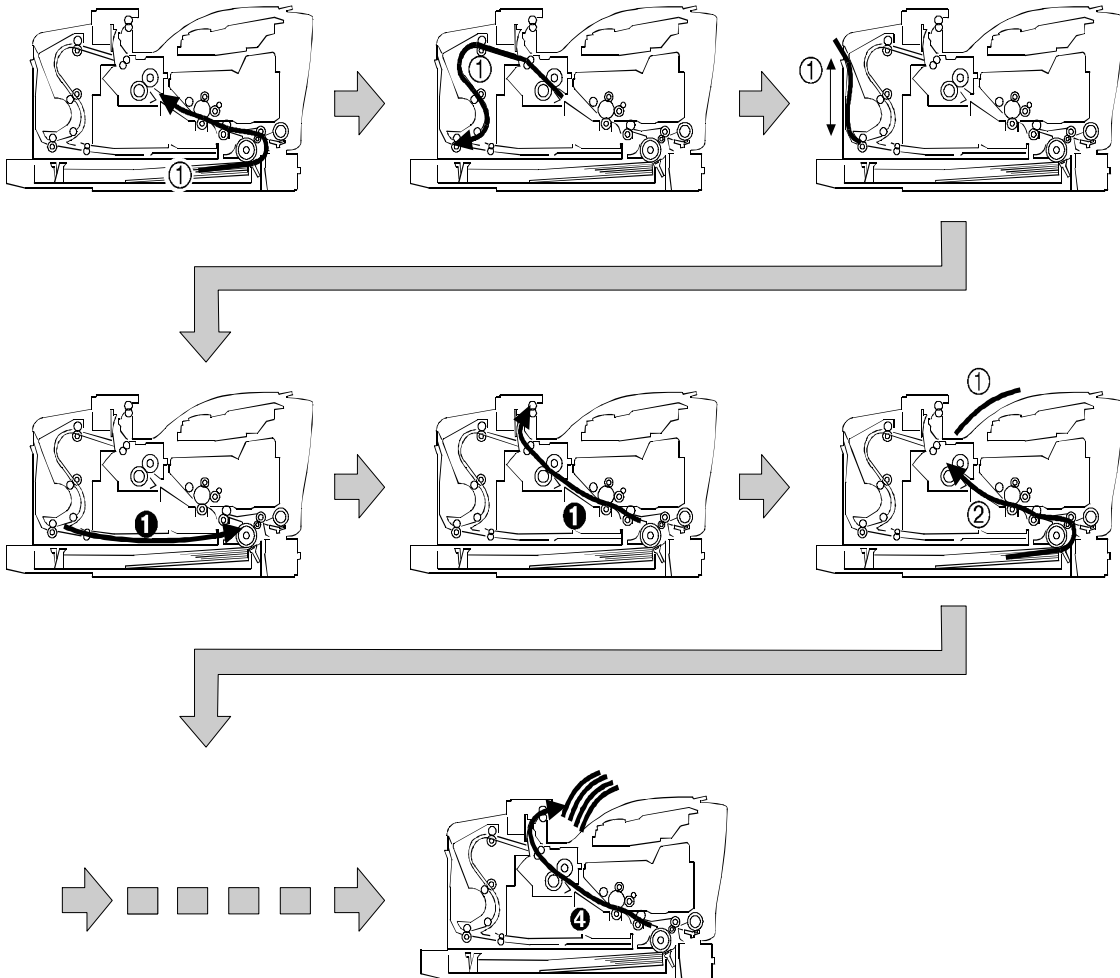
Longer than A4 LEF/LT LEF

- The duplex unit can store only one sheet of paper.

Example: 8 pages. The center number in the illustration shows the order of pages.
 The number with the circle in the illustration shows the order of sheets of print paper (if highlighted, this indicates the second side).



G552I500.WMF

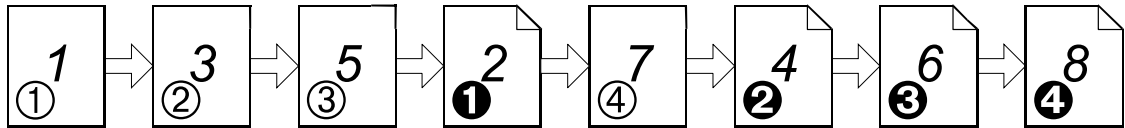


G552D106.WMF

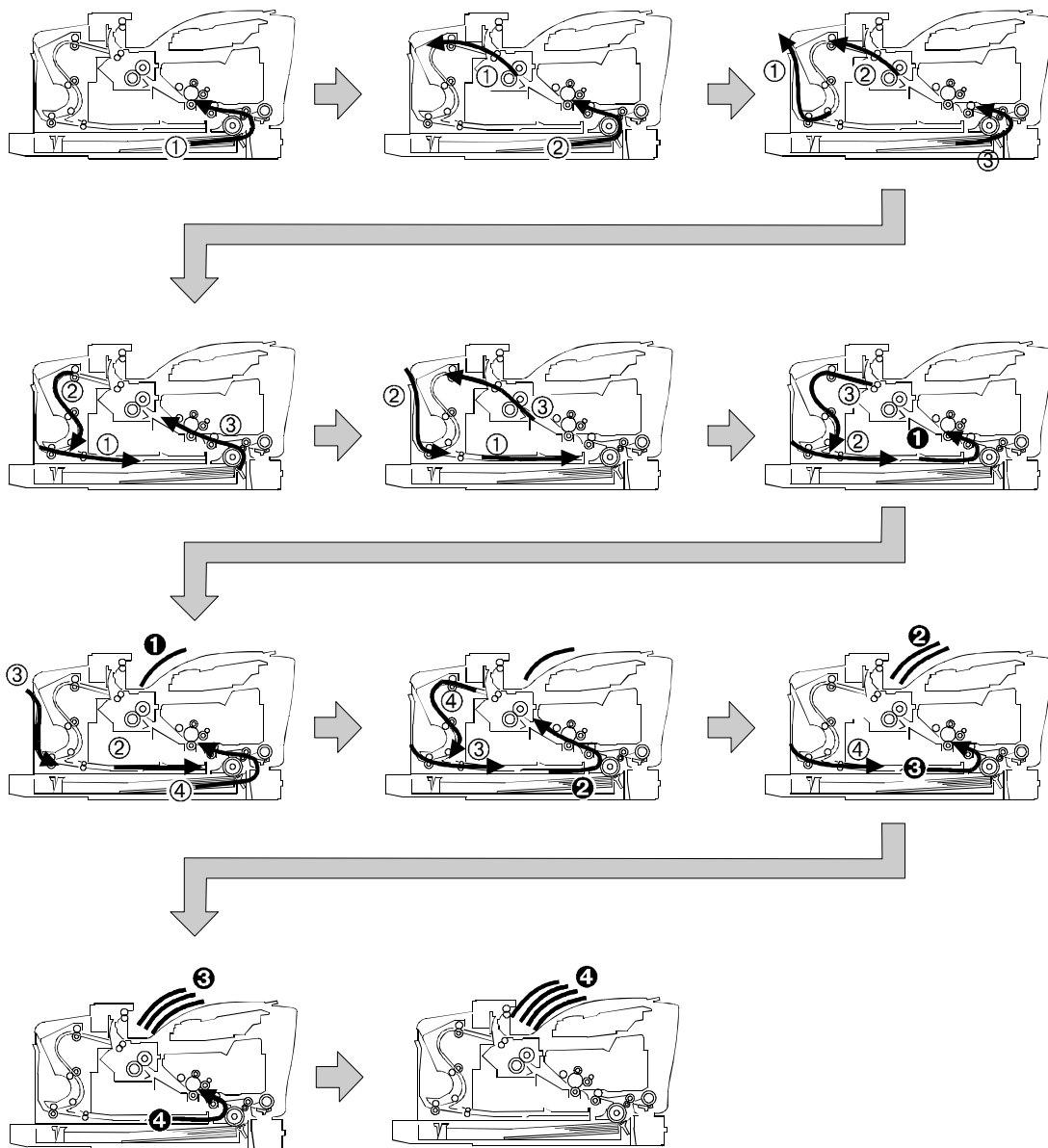
Length up to A4 LEF/LT LEF

- The duplex unit can store three sheets of paper

Example: 8 pages. The center number in the illustration shows the order of pages.
 The number with the circle in the illustration shows the order of sheets of print paper (if highlighted, this indicates the second side).

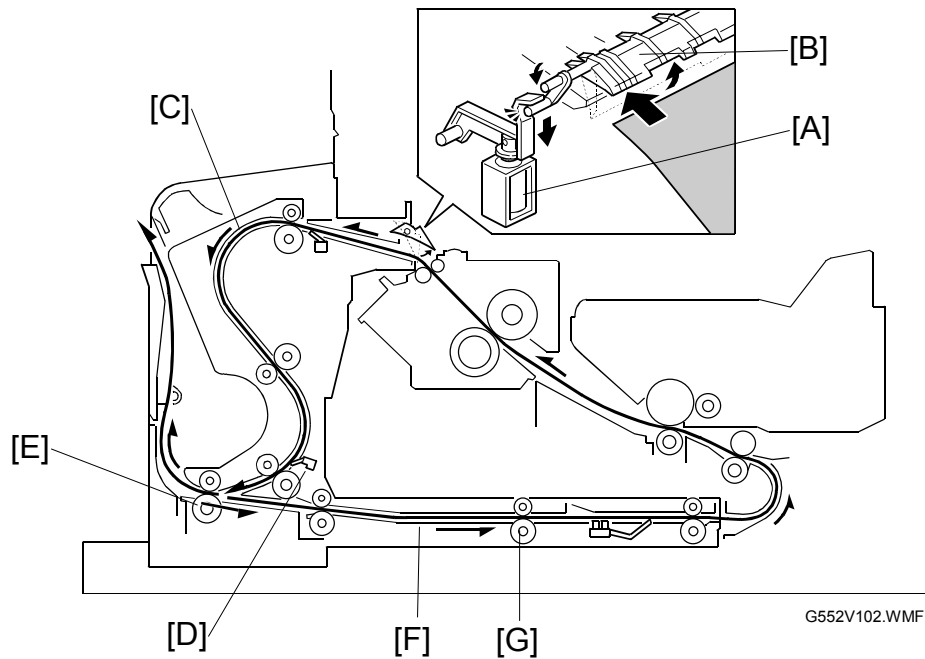


G5521501.WMF



G552D107.WMF

2.2.2 FEED IN AND EXIT MECHANISM



Feeding paper into the duplex unit:

- The junction gate solenoid [A] turns on to open the junction gate [B].
- The paper fed from the main frame is sent to the inverter section [C].

Inversion and exit:

- After the trailing edge of the paper passes the inverter sensor [D], the inverter roller [E] changes its rotation direction and the paper goes to the transport area [F].
- The transport rollers [G] send the paper to the registration rollers in the main frame.